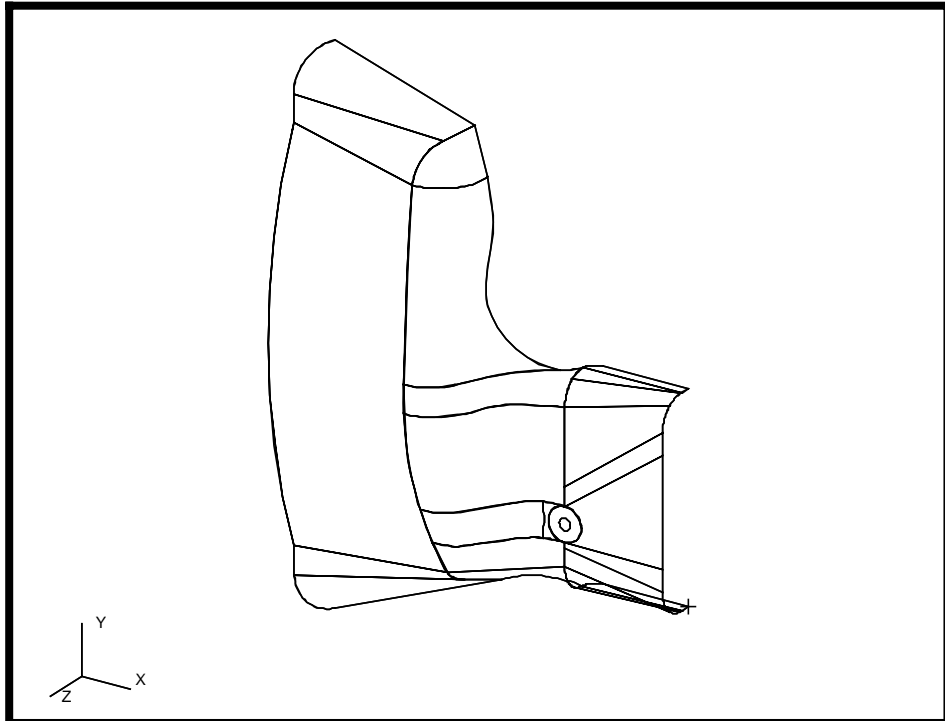


## LESSON 3

# *Keymapping PCL Functions*



### **Objectives:**

- Import an express neutral file
- Key Map several PATRAN commands to one key.
- Use the session file generated by PATRAN to create a PCL function.



**Model Description:**

In this exercise you will import an express neutral file into a Patran database. You will then perform a few display changes with the model, recording these changes in a session file. A terminal window will be opened, and (using a text editor) the recorded session file will be converted into a PCL function. The function will then be keymapped to a specific function key.

**Exercise Procedure:**

1. In your xterm window type **p3** to start P3/PATRAN. Then create a new database called, **shield.db**.

**File/New ...***New Database Name:***shield.db****OK**

Click **OK** in the New Model Preference form.

2. Import the express neutral file.

**File/Import...***Object:***model***Source:***Express Neutral***Express Neutral Files:***shield\_v11.bxp****Apply**

A message will appear, stating that a curve already exists where PATRAN is trying to create another curve. Respond with:

**No For All**

A warning will appear stating that the arc length of one of the curves is less than the geometric tolerance, and the geometry may not be suitable for meshing. This doesn't matter, since we will not be meshing the model, anyway. Close the warning.

**OK**

---

Look at the Import Summary form. Notice the types of geometry that were imported with this express neutral file. Click **OK** at the bottom of the form.

**OK**

3. Start recording a new session file by doing the following:

**File/Session/Record ...**

*Redording File:*

**keymap\_sample.pcl**

**Apply**

The next steps are going to be done in sequential order so that you may later change the journal file into a simple PCL function.

4. Change the view to Iso1 View.



**Iso1 View**

5. Open the Display/Geometry form and move the shrink geometry slide bar until it reads .30. This should shrink all your geometry by 30 percent. Change the point size to 5. Turn on the **Tsurf** labels..

**Display/Geometry ...**

*Geometric Shrink:*

**.30**

*Point Size:*

**5**

*Colors and Labels:*

■ **Surface**

■ **Tsurf**

**Apply**

**Cancel**

6. Change the rendering to smooth shaded using the following toolbar icon:



**Smooth Shaded**

7. After completing these steps go to **File/Session/Record...** and click the **Stop** button. This will end this portion of the session file.

**File/Session/Record ...**



8. Now open a UNIX window and use a text editor to make the following changes to **keymap\_sample.pcl01**:

Delete any line that starts with a dollar sign then pound symbol (\$# - these are just comments in the PATRAN Command Language). Just before the line:

```
ga_view_aa_set( 23., -34., 0. )
```

add the line:

```
FUNCTION Set_Display_Att()
```

After the last line:

```
uil_toolbar.shaded_smooth ( )
```

enter this line:

```
END FUNCTION
```

This session file that was just edited can now be used to as a PCL function that can be executed in PATRAN.

9. Close the database and, once again, open a new database with the same name as before.

**File/Close****File/New ...**

*New Database Name:*



When prompted that a database already exists with the same name, respond that you wish to overwrite the old database.

Click **OK** in the New Model Preference form

---

10. In the command window of PATRAN type:

**!!input keymap\_sample.pcl.01**

11. In the main menu of PATRAN go into **Preferences/Key Map...** and set up the **F6** key to utilize the recently made PCL function.

**Preferences/Key Map ...**

■ **F Key**

**F6**

*To Action:*

**CallPCL**

■ **Customize**

*Map String:*

**None<Key>F6: CallPCL  
("Set\_Display\_Att")**

**Apply**

**Note:** The only thing that needs to be typed into the databox is the name of the function: **"Set\_Display\_Att"**, and this needs to be entered inside the parentheses.

Close the *Keymap Preferences* form.

**Close**

12. Import the part file just as before.

**File/Import...**

*Object:*

**model**

*Source:*

**Express Neutral**

*Express Neutral Files:*

**shield\_v11.bxp**

**Apply**

A message will appear, stating that a curve already exists where PATRAN is trying to create another curve. Respond with:

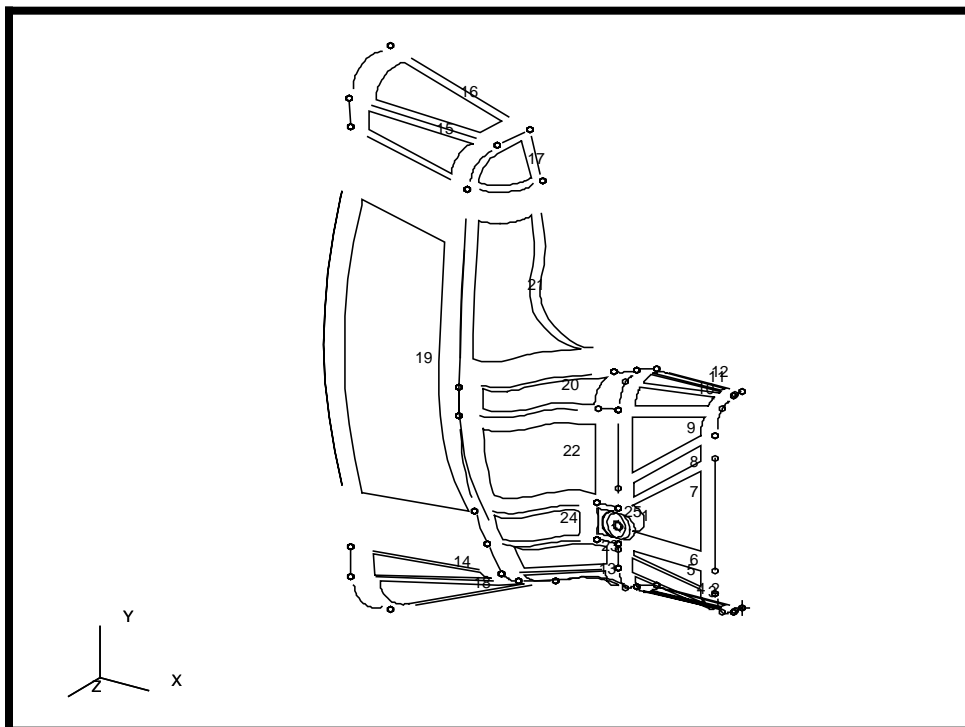
**No For All**

A warning will appear stating that the arc length of one of the curves is less than the geometric tolerance, and the geometry may not be suitable for meshing. This doesn't matter, since we will not be meshing the model, anyway. Close the warning and import summary.

OK
----

OK
----

13. Press the **F6** key when the part file is done loading. The surfaces of the part should now shrink and appear like the following:



14. Make the keymapped function a permanent feature of all your PATRAN sessions.

Open a UNIX window. Then, look at the file called **.Patran.EventMaps**. Notice that the last line contains the keymap string that you input from the *Keymap Preferences* form. Unfortunately, if you were to restart PATRAN and try to use the **F6** key again, nothing would happen because the PCL function was not loaded. Instead of manually inputting the function every time you start PATRAN, there is an easier way to make the function available for every session.

---

Compile the PCL function into a library by inputting the following command in the PATRAN command window:

**!!compile keymap\_sample.pcl.01 keymap**

Go to the UNIX window and use a text editor to create a file by the name of **p3epilog.pcl** which contains the following line:

**!!library keymap.plb**

When done, quit PATRAN and restart it. Then, once again, create a new database called **shield.db**.

**File/New ...**

*New Database Name:*

**shield.db**

**OK**

When prompted that a database already exists with the same name, respond that you wish to overwrite the old database.

**Yes**

Click **OK** in the New Model Preference form.

Import the Express Neutral file one last time.

**File/Import...**

*Object:*

**model**

*Source:*

**Express Neutral**

*Express Neutral Files:*

**shield\_v11.bxp**

**Apply**

A message will appear, stating that a curve already exists where PATRAN is trying to create another curve. Respond with:

**No For All**

Once again, close the warning and import summary.

**OK**

**OK**

Push **F6**. Notice that PATRAN executes the PCL function.

This ends the exercise.